



NORTH AMERICAN MARINE INDUSTRIES, INC.



Bottom's Up Lifts NAMI Difference

Savvy boat owners choose Bottom's Up high tech boat lifts

Customized - In-house design by an advanced engineering team.

Frames - One-piece rigid structural steel, all hot dipped galvanized welded frames lending structural integrity to the dock. Welding is done in our shop according to a strict schedule.

Tanks - Rectangular design provides a wide stance foundation providing buoyancy reducing the downward load on the dock.

Blower Unit - Easy controls, maintenance free with built in GFCI, dock-mounted.

Bunks - maintenance free, adjustable composite bunk pads conform to hulls.

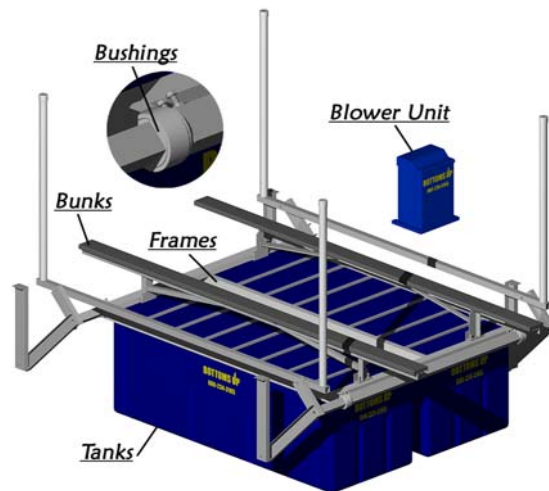
Stays - level mechanically, vertical guides center boat on lift.

Torsion Bar - heavy duty design eliminates twisting from wave action while providing full width support.

Bushings - Maintenance free, self-lubricating, UV stable molecular weight bushings minimize friction and noise.

Fastening Components - The 3/4" pivot bolts are placed in sleeves reducing wear to the bolts and the components that pivot.

Warranty - Electrical/Blower Unit - 2 years, manufactured parts - 5 years, tanks -- lifetime.



Stellar Customer Service

NAMI enjoys giving quality customer service.

We'll do our utmost to assist you with your lift purchase and installation.

Please phone 1-800-234-3165.